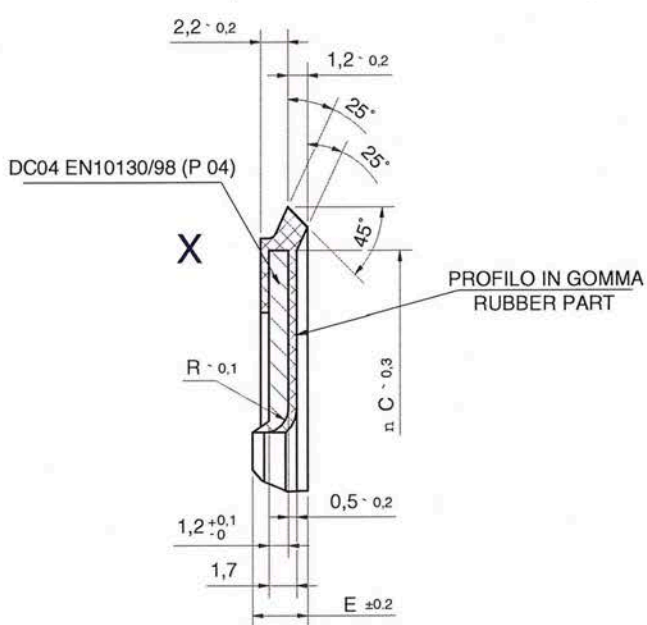
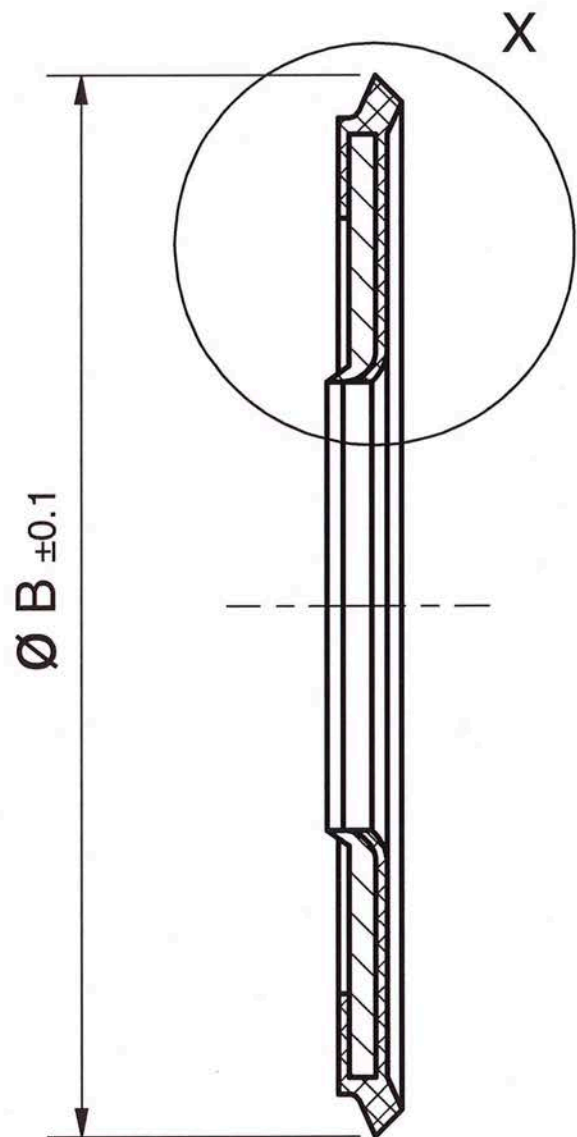
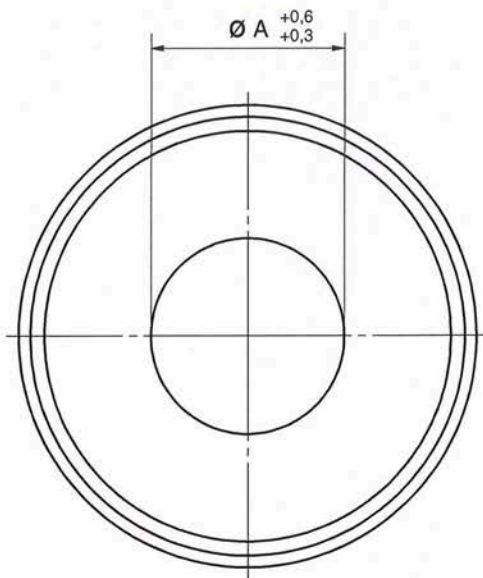
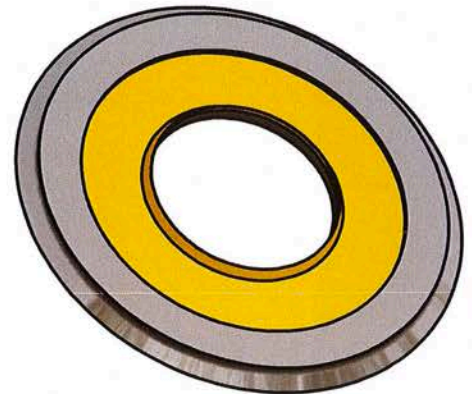
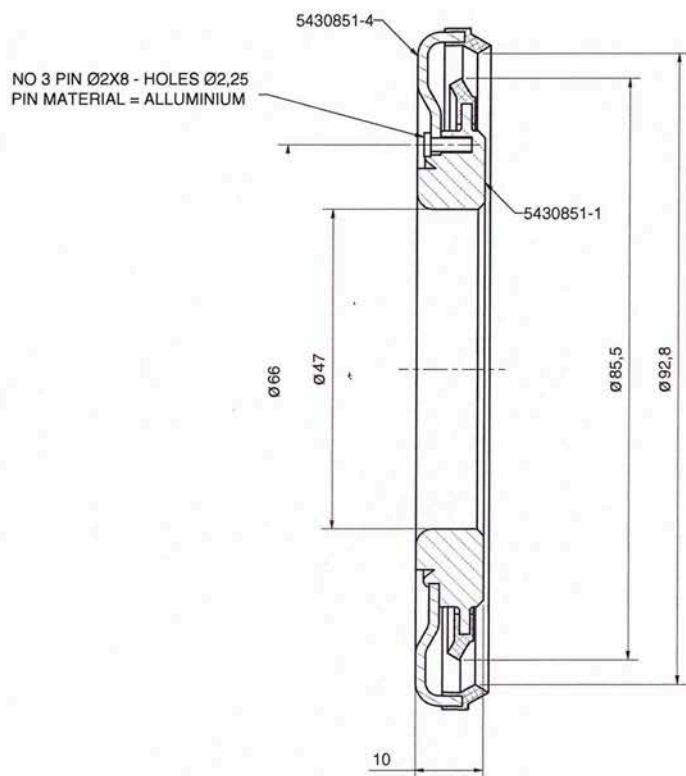


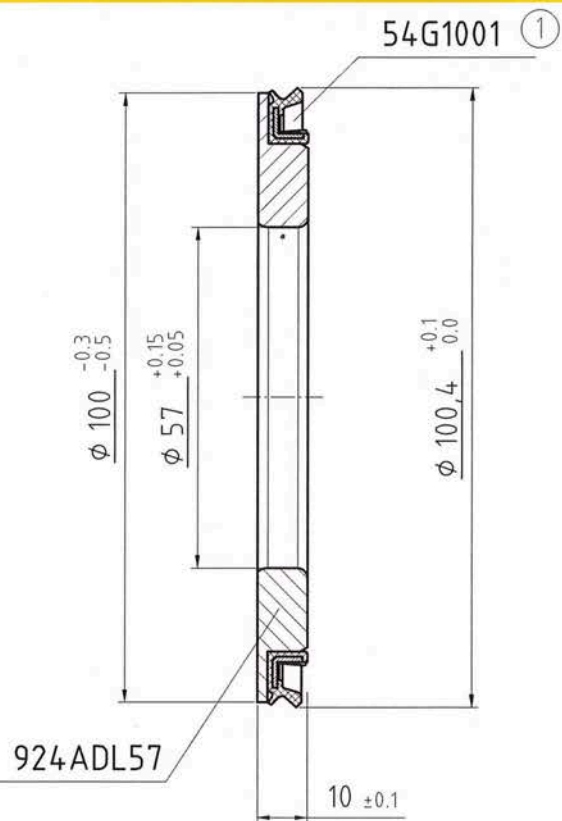
AXLE	SEAL-CODE	A	B	C	R	E
50sq	5410851	45	85.4	78	2	4
60sq	5411001	55	100.5	93	2.5	4.4
70sq	5411002	65	100.5	93	2.5	3.9
80sq	5411301	75	130.6	123	2.5	3.9
	5410471	20	47.3	42	1.5	3.4
	5410621	30	62.3	55	1.5	3.8
	5410721	35	72.3	64	1.5	4.1
	5410801	40	80.4	72	2	4.6
	5410901	50	90.4	83	2	4.4
	5411101	60	110.5	103	2.5	3.9
	5411201	65	120.6	113	2.5	3.9



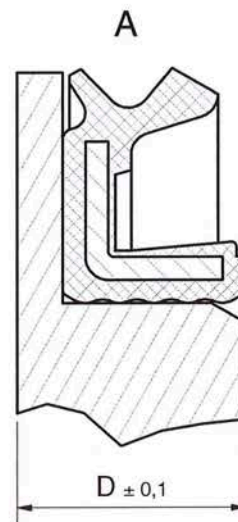
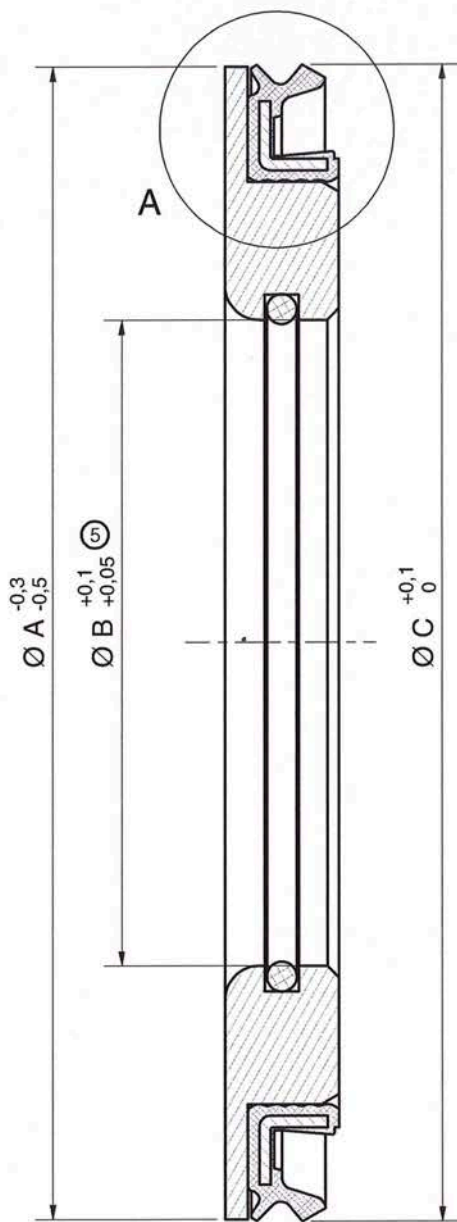
50SQ 5H & 6H-5430851



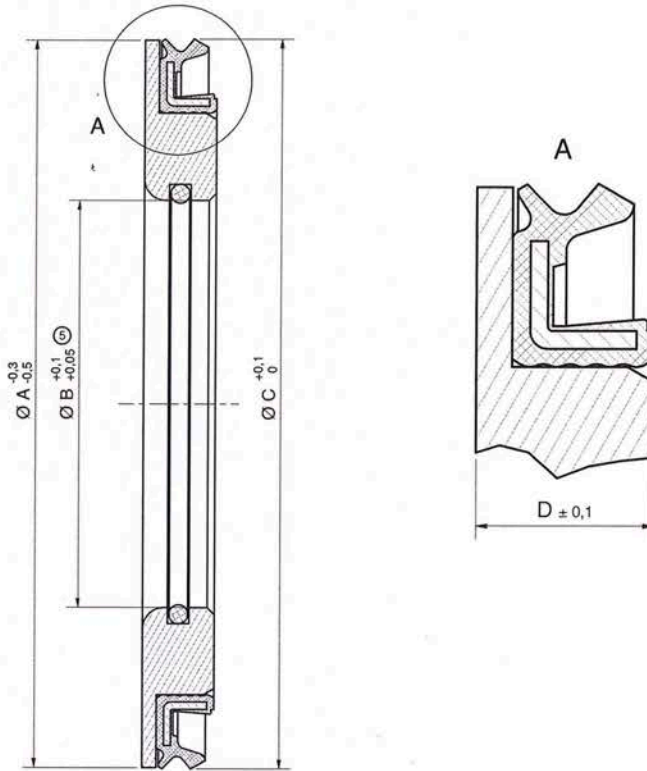
60SQ 6H-PI5PI57



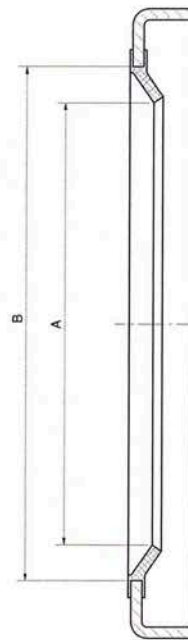
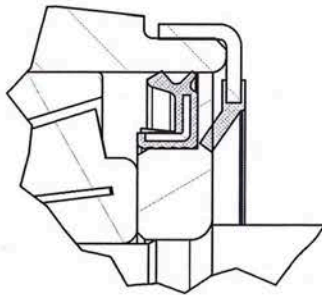
AXLE	SEAL CODE	A	B	C	D
60sq	5441001	100	56	100.4	10
70sq	5441201	120	67	120.6	10
80sq	5441301	130	77	130.6	10
90sq	5441401	140	82	140.6	10
100sq/1	5441402	140	92	140.6	10
100sq/2	5441501	150	87	150.6	12
100sq/3	5441502	150	92	150.6	12
	5441801	180	112	180.6	12
	5441602	160	105	160.6	12
	5441601	160	92	160.6	12
	5441251	125	72	125.6	10



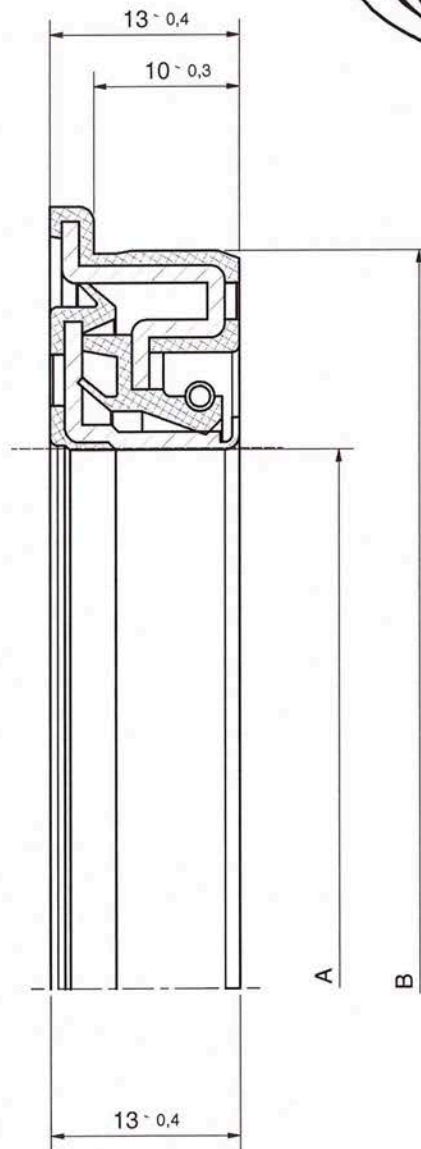
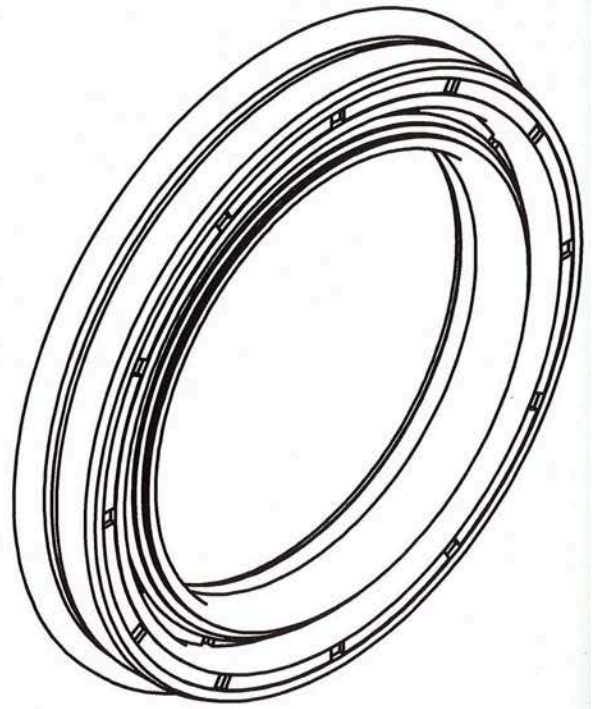
AXLE	SEAL CODE	A	B	C	D
60sq	5441001	100	56	100,4	10
70sq	5441201	120	67	120,6	10
80sq	5441301	130	77	130,6	10



AXLE	SEAL CODE	A	B
60	5551081	79	92
70	5551331	102	115
80	5551511	113	125



AXLE	SEAL CODE	A	B
60sq	5441001	73	100
70sq	5441201	93	120
80sq	5441301	103	130



AXLE	SEAL CODE	A	B
50sq	5470852	47	85
60sq	5471004	56	100
70sq	5471202	67	120
80sq	5471302	77	130
90sq	5471403	82	140
100sq	5471404	92	140

