

Spinner Tube Identification for SAM SPREADERS with 800 Wide Mats

(Supplied as a complete assembly shaft, tube, bearings, spinner mount flange, top nut, but without the flexi coupling)

(Components can be ordered separately)

SPINNER TUBE ASSEMBLY FOR COMBO SINGLE MOTOR

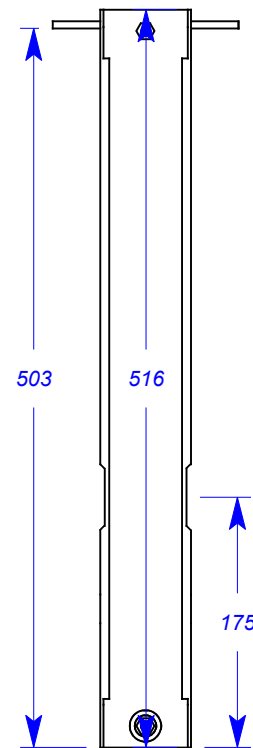
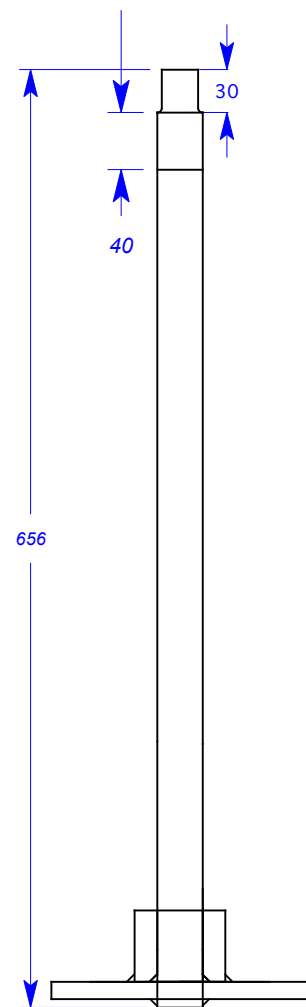
Hose clamp systems usually had pulleys and vee belts
Check tube length and bracket position
Check overall shaft length

SPINNER TUBE ASSEMBLY FOR COMBO TWIN MOTORS

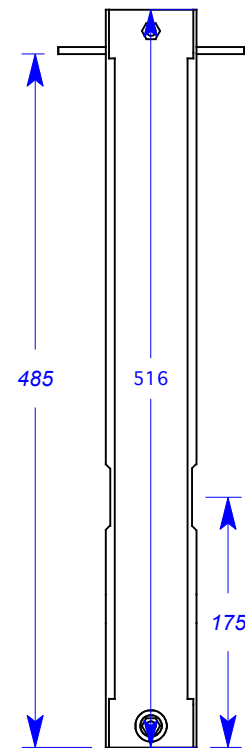
Two brackets on the tube usually with twin motors
Check lengths and bracket position

COMBO SPINNER TUBE FROM 2013

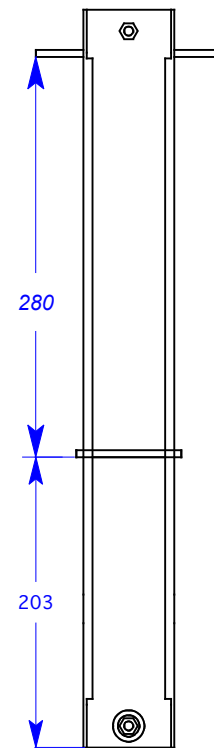
Check shaft length



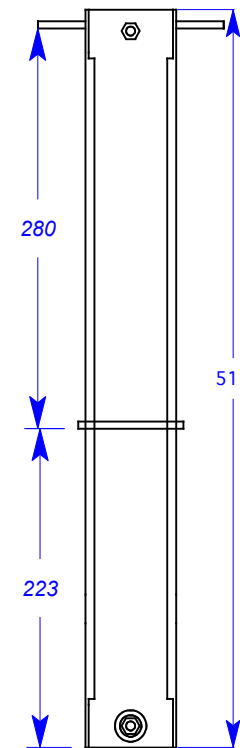
P20 D



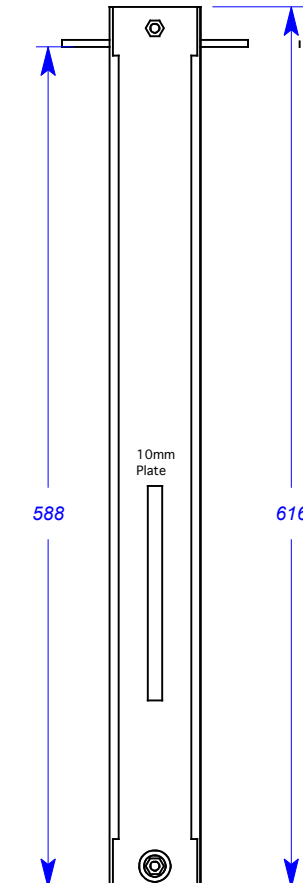
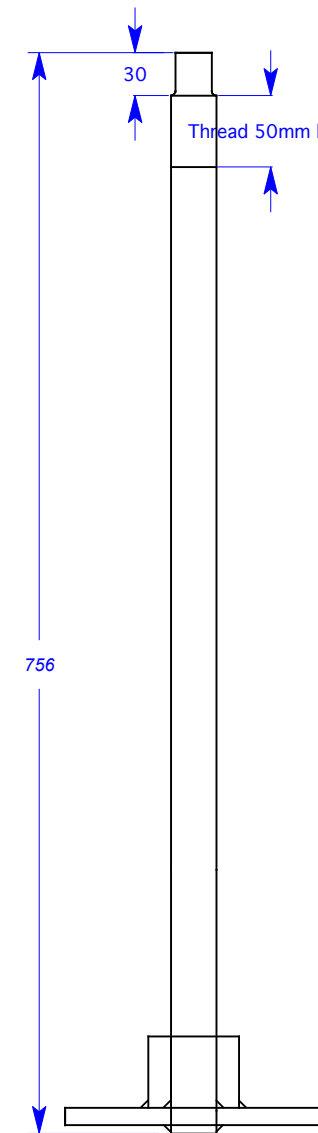
P20 E



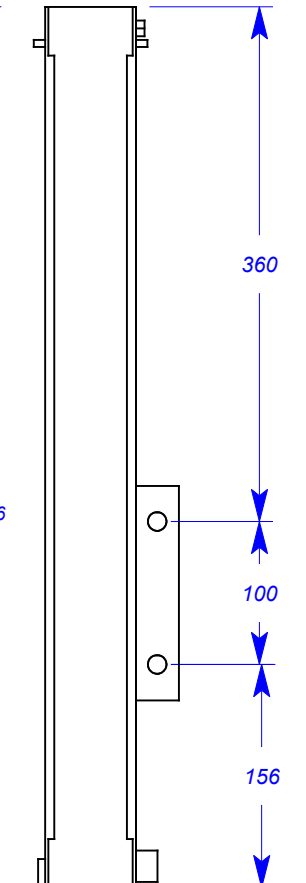
P20 F



P20 G



P20 H



cutting edge sharp